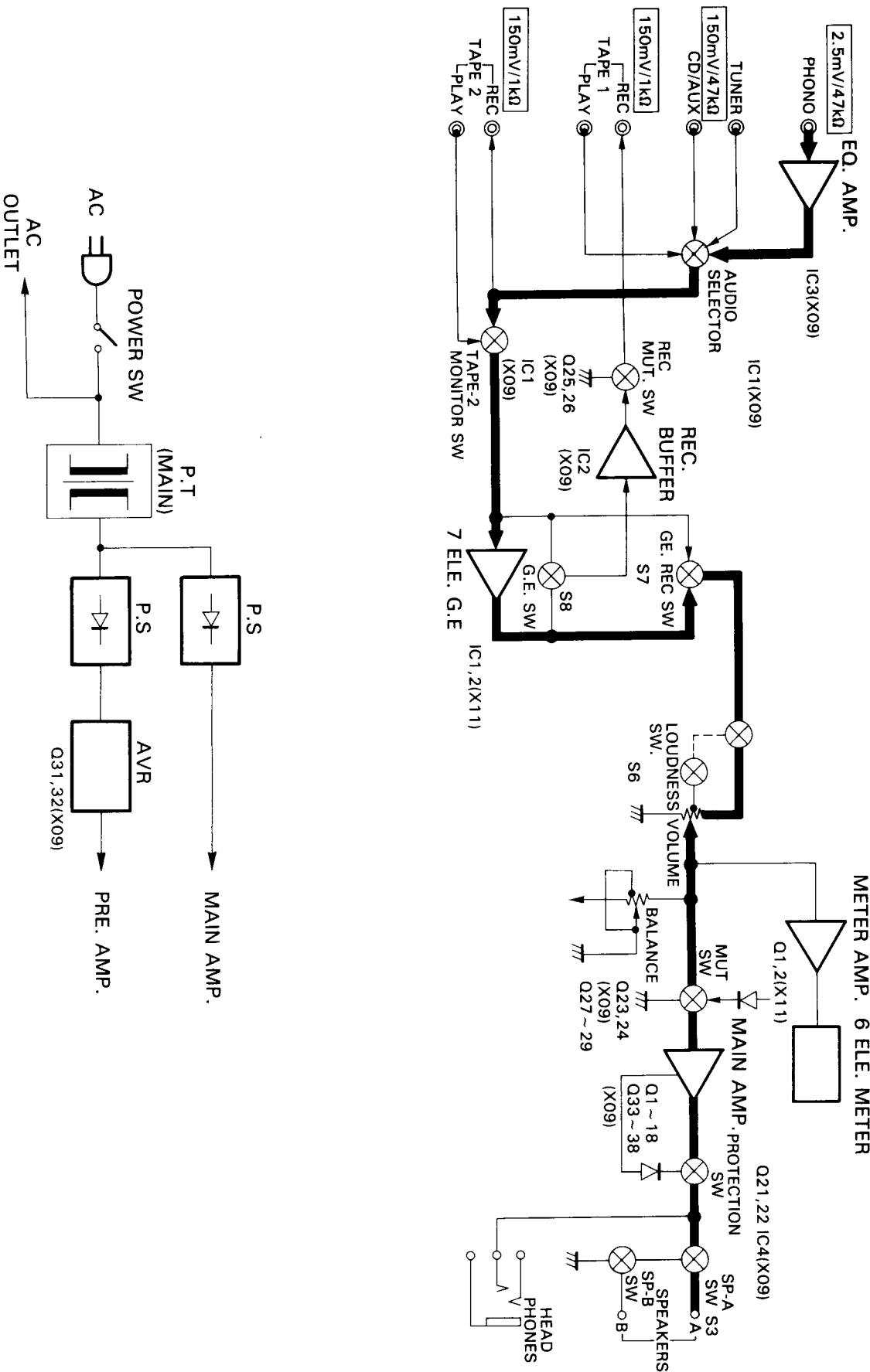


BLOCK & LEVEL DIAGRAM

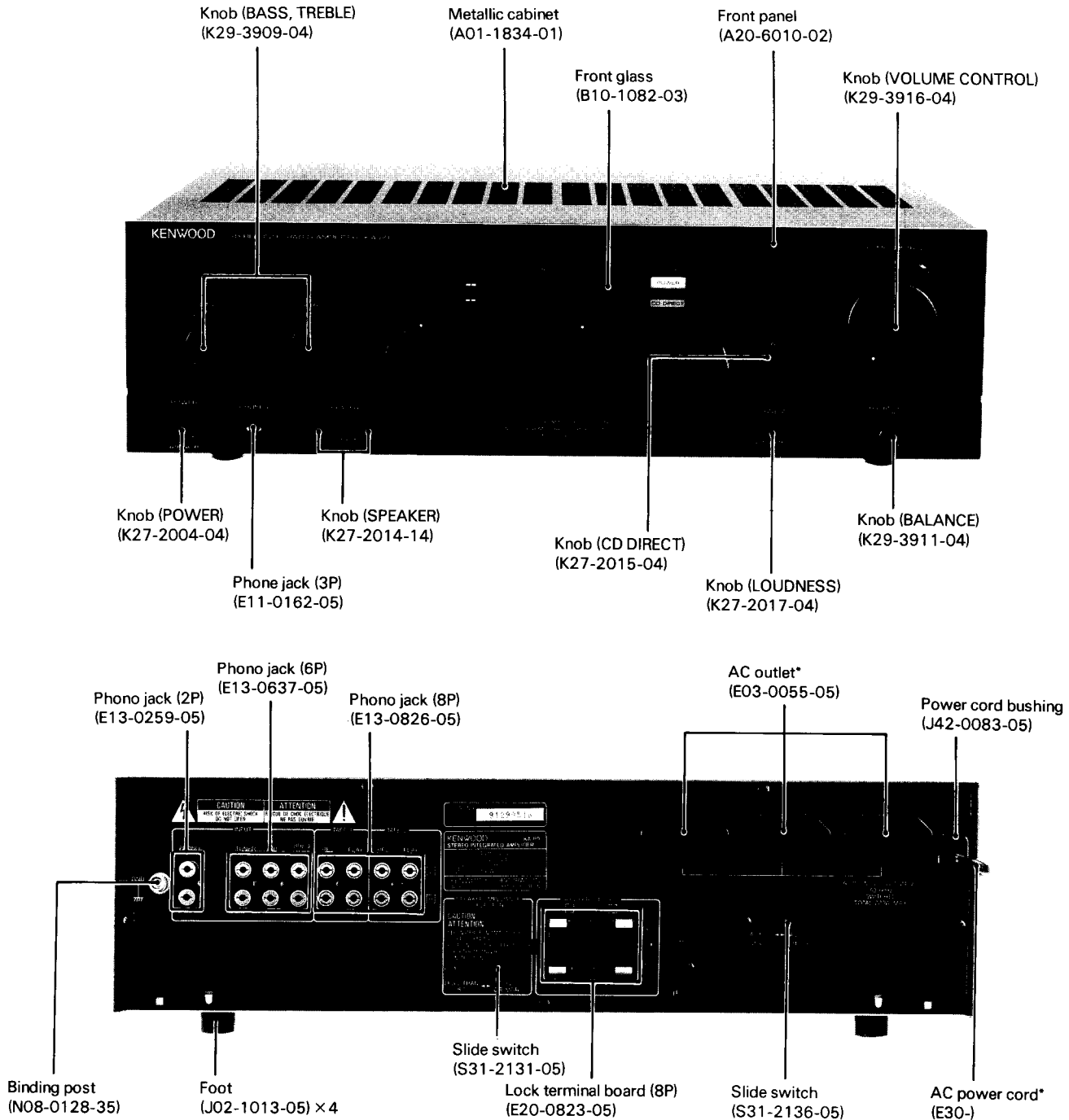


KA-89

SERVICE MANUAL

KENWOOD

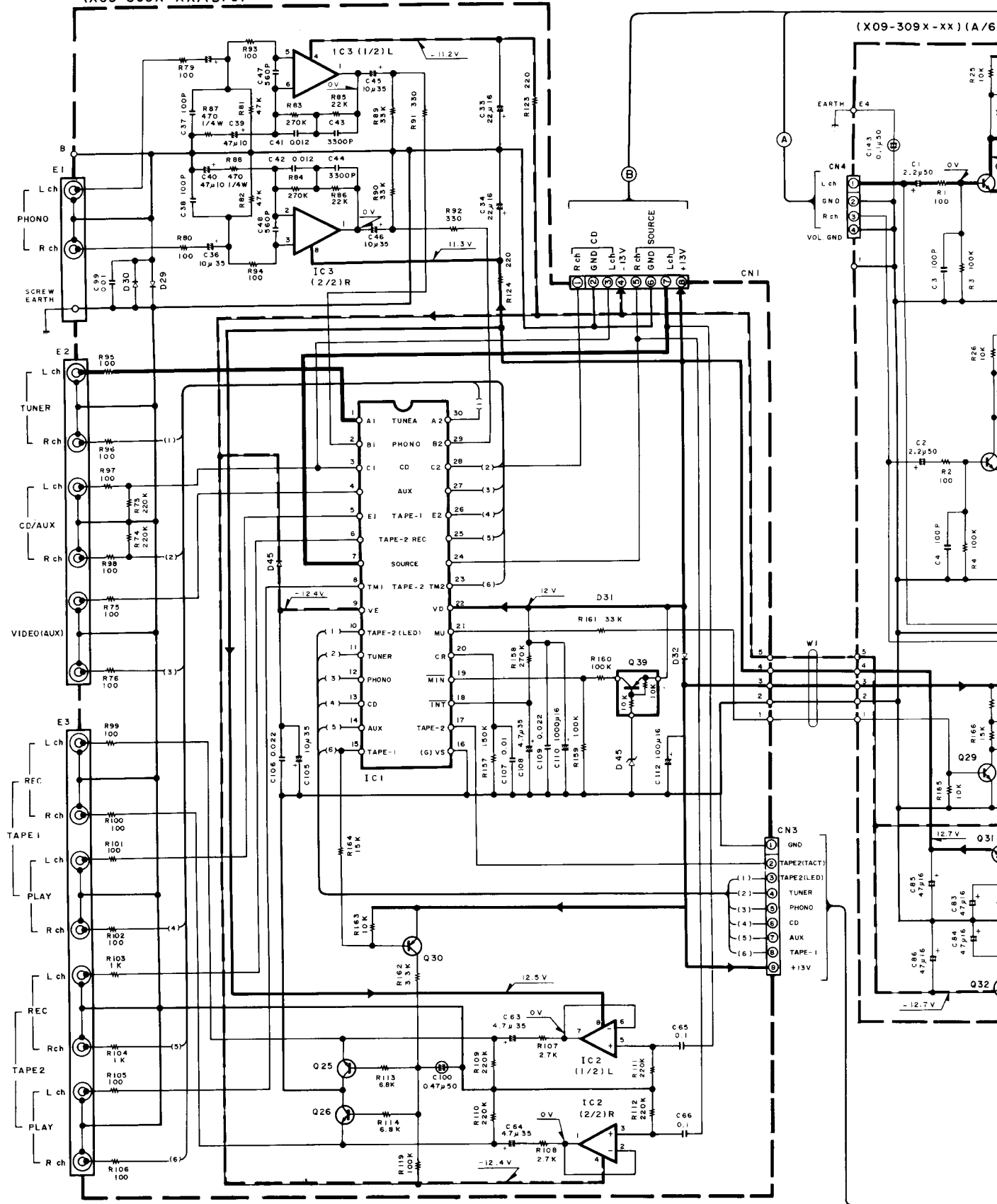
©1990-1 PRINTED IN JAPAN
B51-4081-00(S)1939



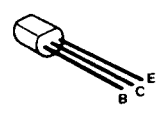
* Refer to parts list on page 16.

(X09-309X-XX) (B/6)

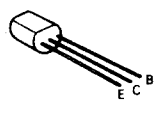
(X09-309X-XX) (A/6)



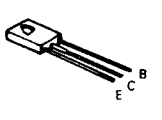
DTA124EN



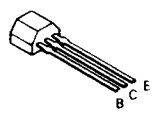
2SA1124
2SA733(A)
2SA954
2SA992
2SC1845
2SC2632
2SC2878
2SC945(A)



2SD882



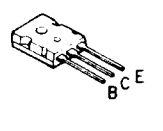
2SA933S
2SC1740S



2SC4137



2SB1162
2SB1163
2SD1717
2SD1718



2

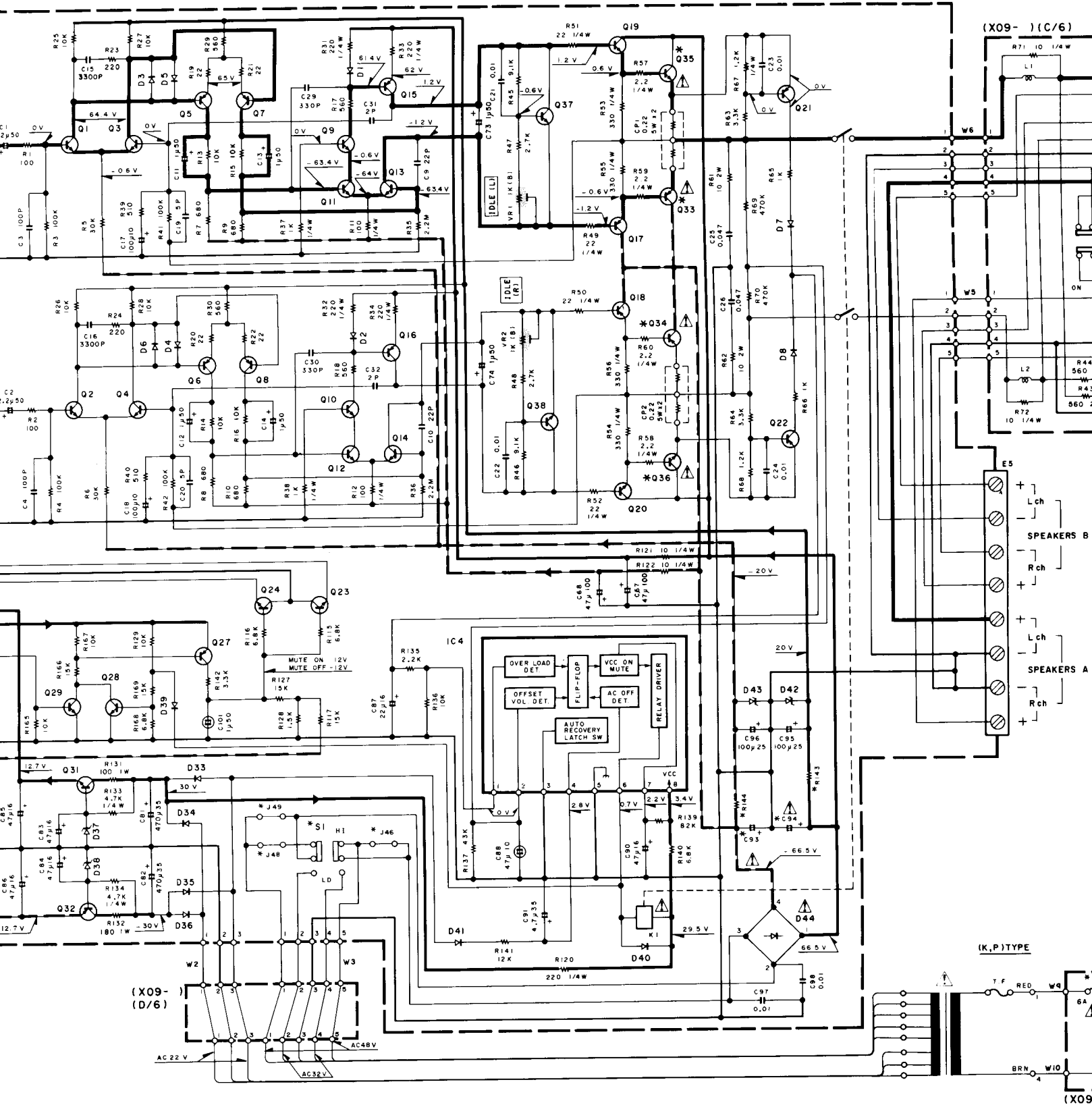
3

4

5

6

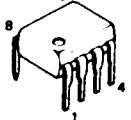
7



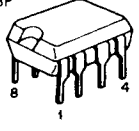
2SA1535
2SC3944



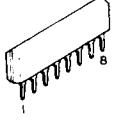
NJM4558D



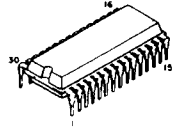
μPC4570C-A
M5218P



μPC1237HA

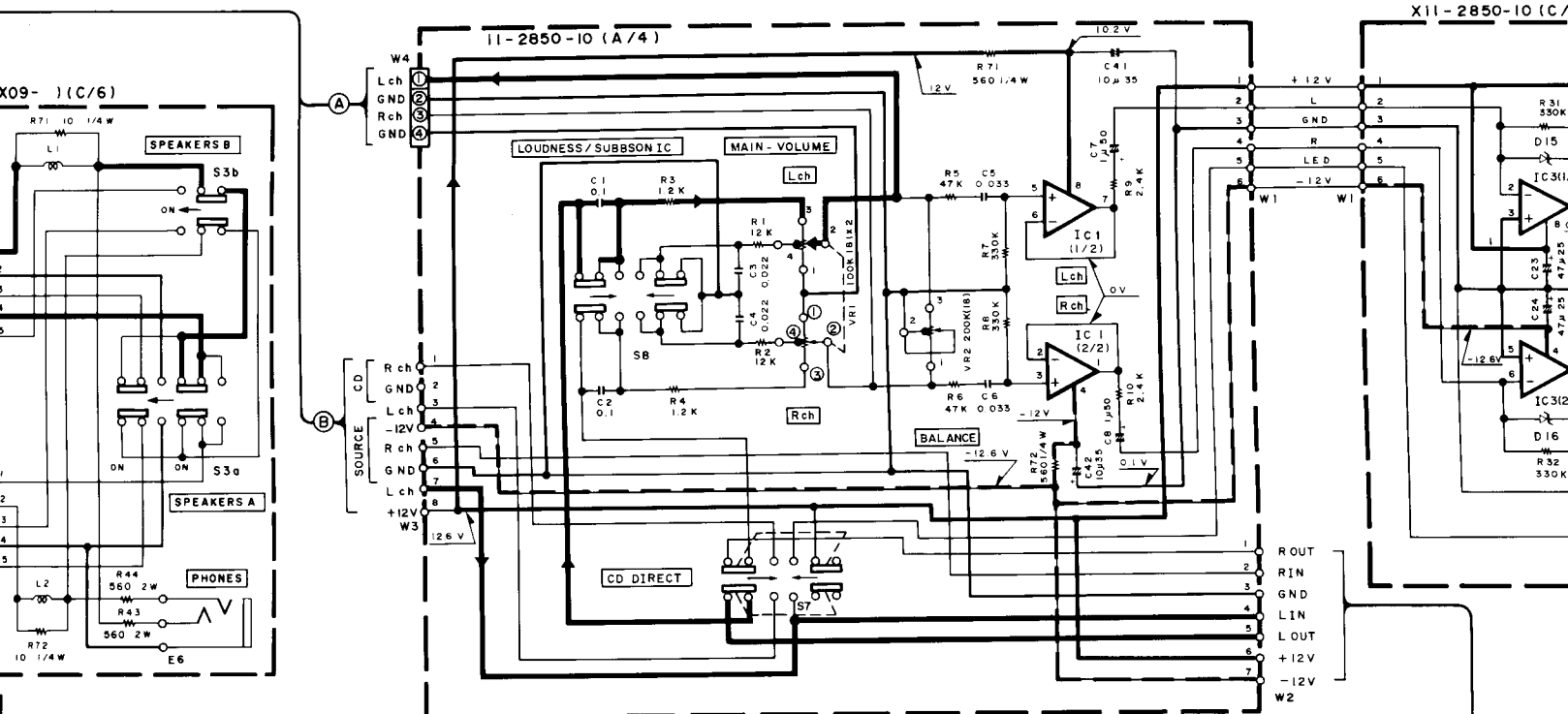


LC7818



(K,P)TYPE

(X09-

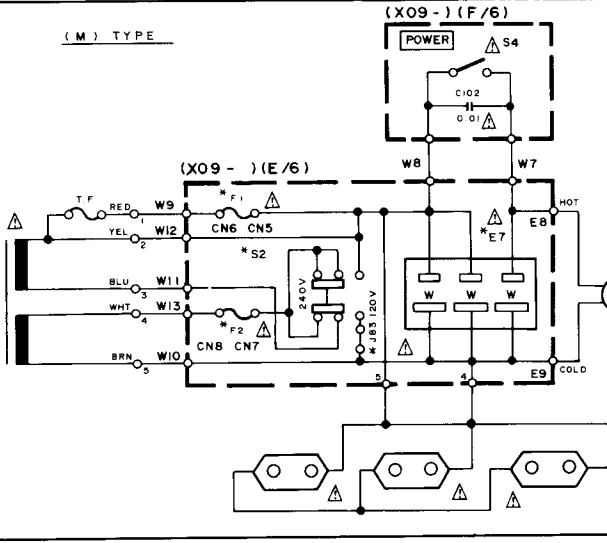
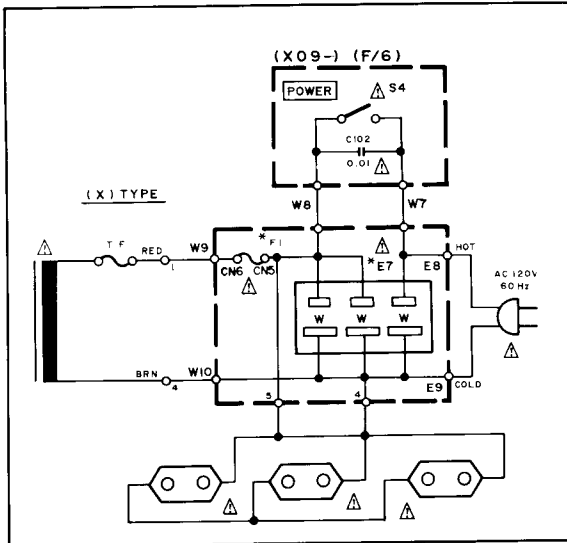
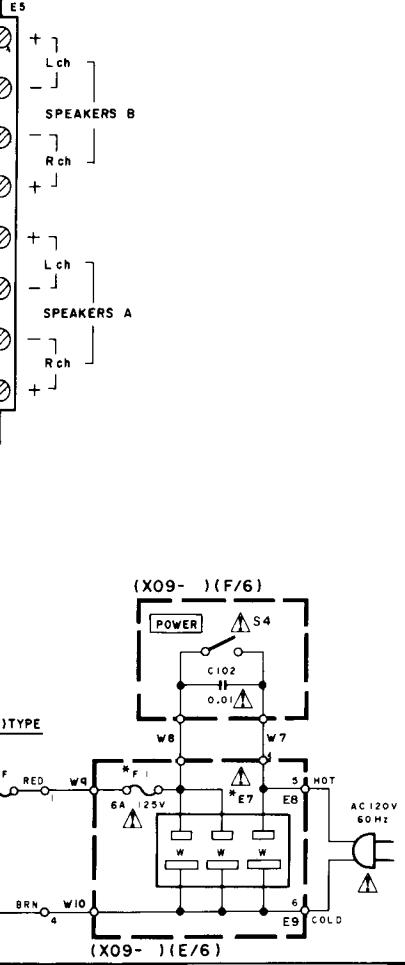


(X09-309X-XX)

- IC1 : LC7818
- IC2,3 : μ PC4570 C-A
- IC4 : μ PC1237 HA
- Q1~4 : 2SC1845 (F, E)
- Q5~8 : 2SA992 (F, E)
- Q9~14 : 2SC2632 (Q, R, S)
- Q15,16 : 2SA1124 (Q, R, S)
- Q17,18 : 2SA1535 (Q, R, S)
- Q19,20 : 2SC3944 (Q, R, S)
- Q21,22,27,30 : 2SA733(A)(Q,P) or 2SA933S(Q,R)
- Q23~26 : 2SC2878 (B)
- Q28,29 : 2SC945 (A)(Q,P) or 2SC1740S(Q,R)
- Q31 : 2SD882
- Q39 : DTA124EN

(X11-2850-10)

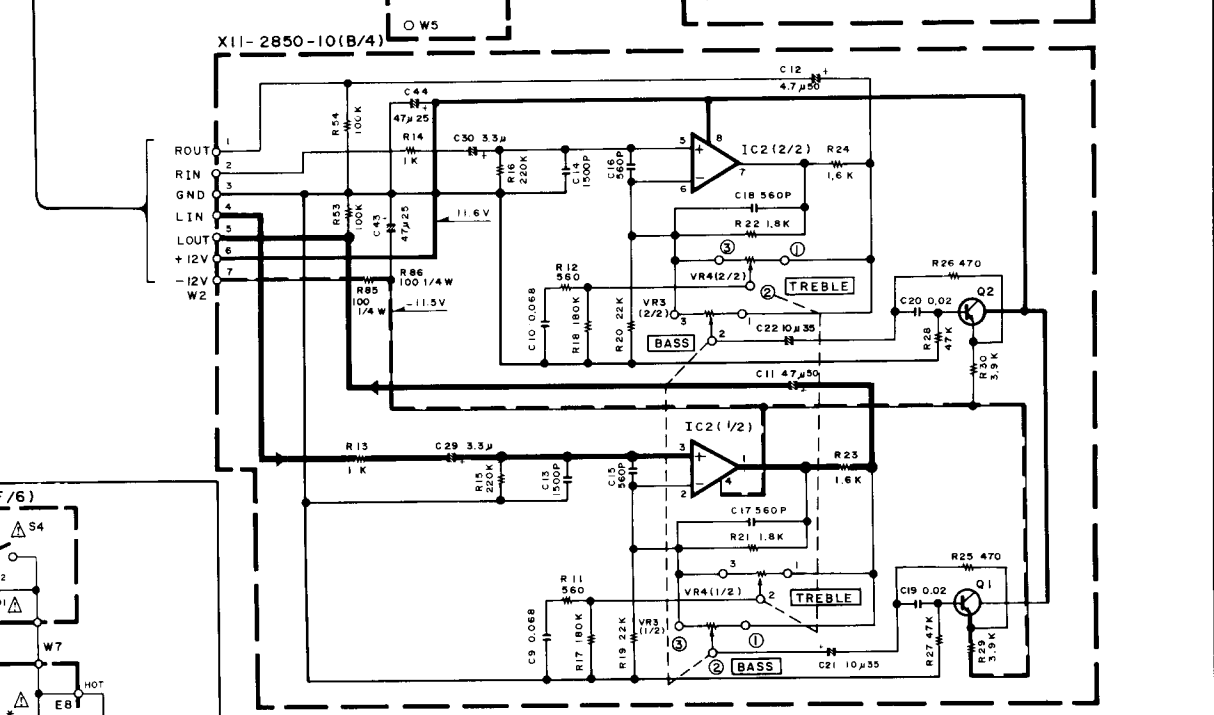
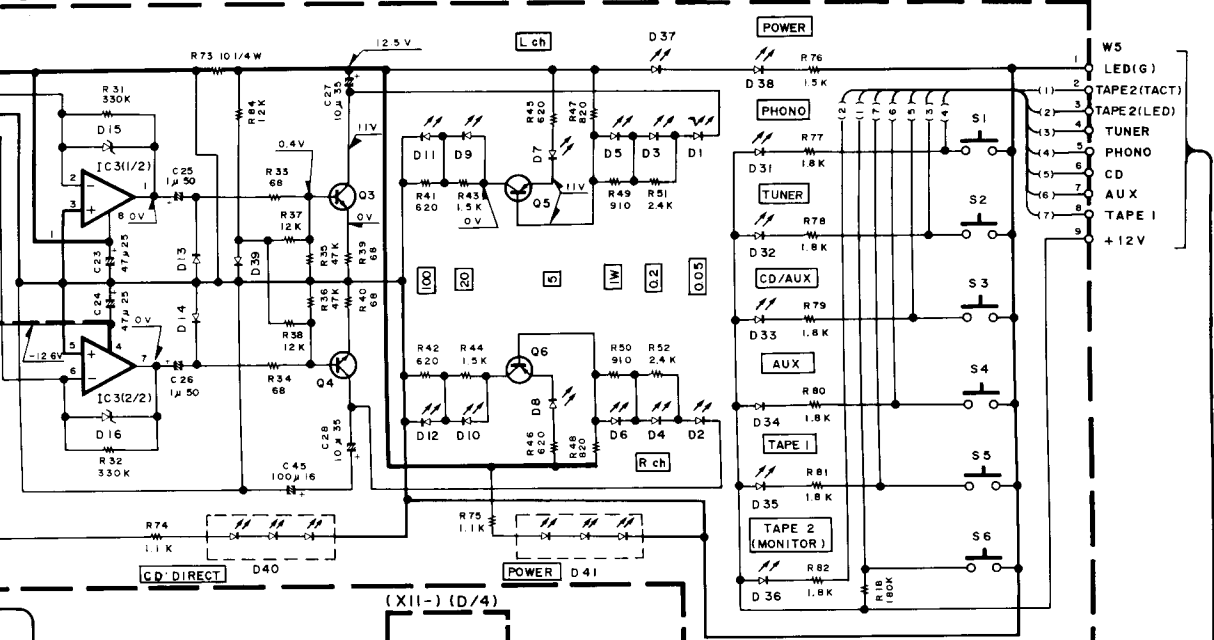
- IC1,3 : NJM45580 or M5218 P
- IC2 : μ PC4570 C-A
- Q1,2 : 2SC1845 (F, E)
- Q3,4 : 2SC945 (A)(Q, P) or 2SC1740 S (Q, R) or 2SA733 (A)(Q, P) or 2SA933 (Q, R)
- D1~8,29~32,39,40,46 : 1SS131 or HSS104A
- D33~36,41 : S5566 B
- D37,38 : RD13ES (B2) or HZS13N (B2)
- D42,43 : RD20ES (B)
- D44 : HZS20N (B)
- D45 : RBV-602LFA or RD10ES (B) or HZS10N (B)
- D1~12,37,38 : B30-1289-05
- D31~36 : B30-1291-05
- D13,14,39 : 1SS133 or HSS104
- D15,16 : RD2-7ES (B) or HZS2-7N (B)
- D40 : B30-1287-05
- D41 : B30-0486-05



DC voltages are as measured with a high impedance voltmeter. Values may vary slightly due to variations between individual instruments or/and units.

CAUTION: For continued safety, replace safety critical components only with manufacturer's recommended parts (refer to parts list). Indicates safety critical components. To reduce the risk of electric shock, leakage-current or resistance

measurements shall be taken with the unit properly insulated from the ground. The unit shall be returned to the customer.



(X09-309 X-XX)

| DESTINATION | Ref. NO | C93, 94 | Q33, 34 | Q35, 36 | S1 | S2 | E7 | F1 | F2 | J48 | J46 J49 | J83 | CN7,B | W11-13 | R143 | R144 |
|-------------|---------|----------|----------|---------|-----|-----|-------------|-----|-----|-----|---------|-----|-------|--------|--------|--------|
| 0-10 (K,P) | 8200μ71 | 25B 1163 | 25D 1718 | NO | NO | YES | 6A 125V | NO | NO | YES | NO | NO | NO | NO | 3.3K2W | 3.3K2W |
| 0-21 (M) | 8200μ71 | 25B 1163 | 25D 1718 | YES | YES | NO | 3.15A 250V | YES | YES | NO | YES | YES | YES | YES | 2.7K2W | 3.3K2W |
| 0-71 (X) | 7500μ71 | 25B 1162 | 25D 1717 | YES | NO | NO | T3 15A 250V | NO | YES | NO | NO | NO | NO | NO | 2.2K2W | 2.7K2W |



ements shall be carried out (exposed parts are accepta-
lated from the supply circuit) before the appliance is
d to the customer.

